

SAT IMPROVED PERFORMANCE

INTRODUCTION

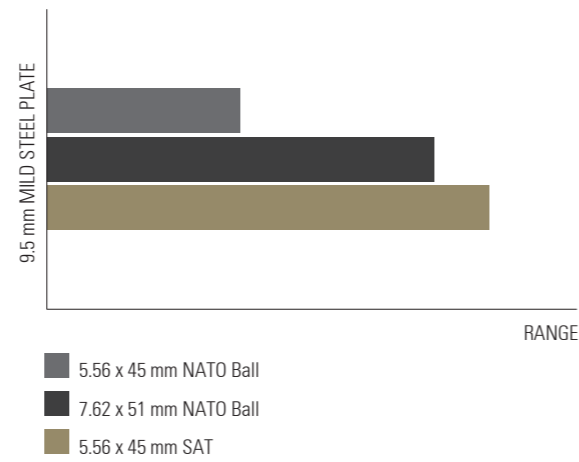
CBC 5.56 x 45 mm SAT Improved Performance combines superior hard target penetration with better terminal effects than conventional 5.56 NATO Ball ammunition. Loaded with a lead-free projectile the 5.56 SAT provides the infantry more consistent lethality at close-and-long-range engagements, up to 600 meters.

The improved performance is a result of the projectile capability of penetrating barriers with higher effectiveness and carrying enough residual energy to incapacitate soft targets. In direct shots, the projectile construction favors fragmentation and increases lethality.

Although lighter, the 5.56 SAT outperforms the 7.62 Ball M80 in both hard and soft targets. The 5.56 SAT will completely perforate a 9.5 mm thick mild steel plate at a distance of 385 meters from muzzle, still having enough residual energy to guarantee effective terminal performance.

Designed to comply with the STANAG 4172 and NATO (Multi-caliber MOPI Standard), CBC 5.56 x 45 mm SAT ballistic trajectories fully match NATO reference cartridges.

PENETRATION PERFORMANCE



ADVANTAGES

- Improved hard target performance and increased terminal effect against soft targets – compared to 5.56 x 45 mm NATO Ball;
- Effective against a wide variety of targets;
- Increases the engagement range to distances up to 600 m;
- Lead free projectile;
- Bullet coating for reducing barrel wear;
- No weight increase compared to 5.56 x 45 mm NATO Ball;
- Fully compliant with NATO MOPI requirements;
- No weapon modification or conversion kit is required.



COMPARISON CHART

5.56 NATO BALL VS. 5.56 SAT

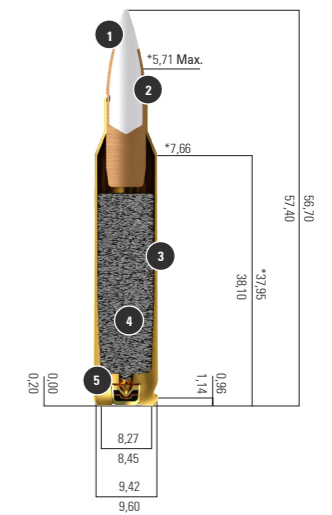


CHARACTERISTICS	NATO BALL	SAT
CARTRIDGE LENGTH (mm)	56.70 – 57.40	56.70 – 57.40
BULLET WEIGHT (g)	3.9 – 4.1	3.9 – 4.1
SLUG	LEAD	COPPER
PENETRATOR	HARDENED STEEL	HIGH HARDENED STEEL
PENETRATION	4.75 mm MILD STEEL PLATE (1010 OR 1020, BETWEEN 55 AND 70 HRB) AT 450 m	9.5 mm MILD STEEL PLATE (1010 OR 1020, BETWEEN 55 AND 75 HRB) AT 385 m

COMPOSITION

1	PROJECTILE	COPPER SOLID BODY EXPOSED STEEL CORE LEAD FREE
2	PENETRATION PERFORMANCE	9.5 mm STEEL PLATE (SAE 1010 OR 1020 55 HRB - 70 HRB), AT 385 m FROM MUZZLE
3	CASE	BRASS (Cu ₇₀ Zn ₃₀) (UNS 26000)
4	PROPELLANT	DOUBLE BASE, REACH COMPLIANT
5	PRIMER	PERCUSSION, BOXER TYPE, CRIMPED AND SEALED

SAT IMPROVED PERFORMANCE CROSS-SECTION



⊕ Fully compatible with all NATO nominated weapons or equivalents without the need of any modifications or auxiliary equipment.

